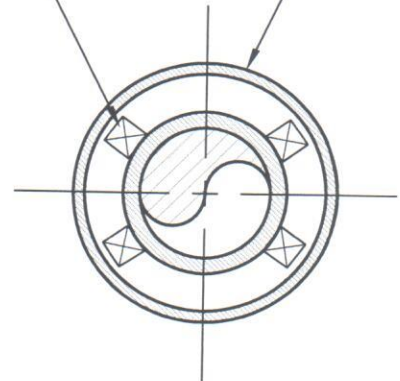


CASCAD STAINLESS STEEL SPACERS OR EQ.
 6'-Ø" MAX. C/C.
 ALLOW 1" MAX. CLEARANCE BETWEEN SPACERS
 & CASING PIPE



NOTE:
 WELD ALL ENCASUREMENT PIPE JOINTS.

DATE: December 2011
 DRAWING: CS11

SCALE: Not To Scale

TITLE: **City of Carmel Utilities STANDARD DETAILS**

BORING DETAIL

DRAWN BY:  **Jones & Henry Engineers, Ltd.**
 1001 EAST WASHINGTON, INDIANA