

## CITY OF CARMEL – WATER DISTRIBUTION DEPARTMENT

### SPECIFICATIONS 1 1/2" - 2" OUTSIDE METER PIT SET

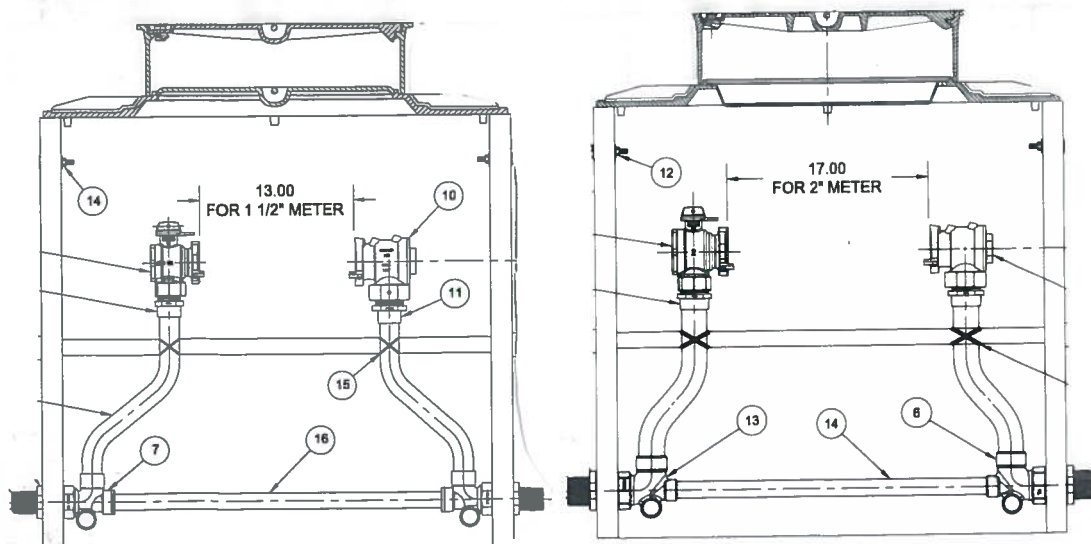
REVISED 8/2017

- METER PIT COVER.** 20x36 STD METER BOX COVER.  
VESTAL ADAPTER RING WITH MC1 WITH 7" FRAME  
FORD MC-36-T MONITOR COVER  
(ALL WITH HOLE IN LID)
- COPPER SETTERS** **FORD: 1 1/2" - SINGLE LID PLASTIC PIT SETTER (PMBHH-688-36-40-NL)**  
**2" - SINGLE LID PLASTIC PIT SETTER (PMBHH-788-36-40-NL)**  
**MUELLER: 1 1/2" - EZ-VAULT METER SETTERS (500VS3636FFB000652N)**  
**2" - EZ-VAULT METER SETTERS (550VS3636FFB000653N)**  
**AY McDONALD: 1 1/2" - PIT SETTER 780-648 NL**  
**2" - PIT SETTER 780-748 NL**
- SERVICE LINE.** ALL 1 1/2" AND 2" SERVICE LINES MUST BE COPPER OUT OF CURB STOP AT LEAST 2 FEET.
- BALL TYPE CURB STOP.** MUST HAVE COMPRESSION TYPE FITTINGS ON BOTH ENDS AND BE SUPPORTED BY A CONCRETE BLOCK.  
Mueller- 25155-3, Ford- 1 1/2" B44-666 2" B44-777.
- SERVICE BOX with SERVICE BOX ROD.** DEPTH OF BURY WILL VARY.
- CORPORATION STOP.** CORPORATION STOP SHOULD BE TAPPED DIRECTLY TO THE WATER MAIN AT THE HORIZONTAL POSITION 3 O'CLOCK. 1 1/2" - 2" DUCTAL IRON or PLASTIC- repair clamp with Threaded 1 1/2" or 2". SMITH-BLAIR # 238 FULL CIRCLE REPAIR CLAMP SINGLE BAND.

#### NOTES:

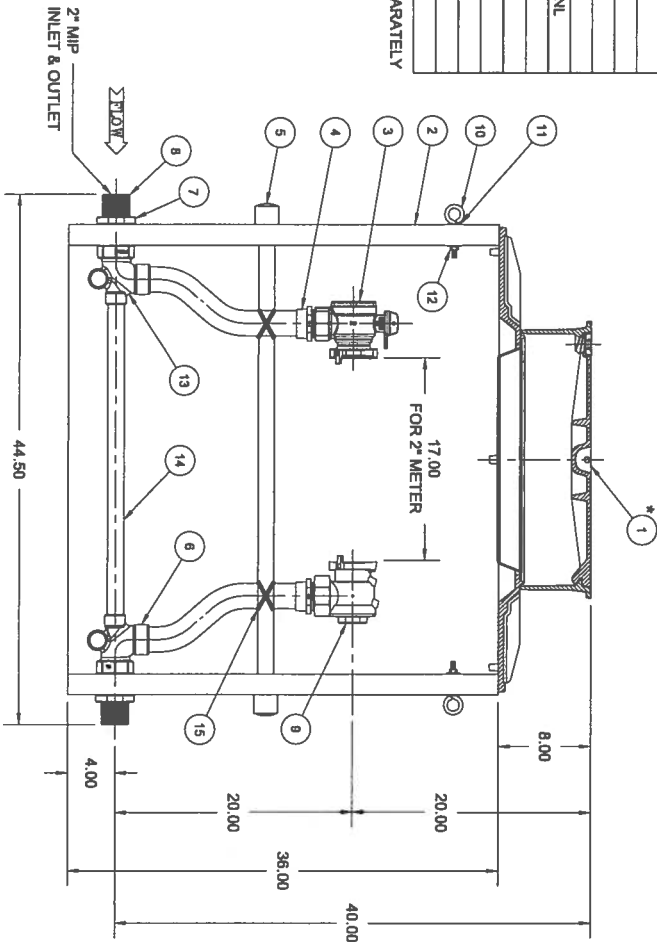
**YOU WILL HAVE TO PRE-ORDER THESE PITS THRU YOUR LOCAL DISTRUBITOR (4 TO 6 WEEKS)**

- Service lines require compression couplings only.
- No meter pit shall be installed in a traffic area, driveway, or side walk.
- There shall be no buried joints or couplings, except for the corporation stop on the Main and the curb stop valve.
- Care should be taken when establishing final grade. The meter pit cover is Expected to be at grade. Using bricks or blocks to raise the meter pit cover will not be accepted. (METER FROM TOP OF THE LID SHOULD BE NO DEEPER THAN 20")
- Any questions should be directed to the: **Carmel Water Distribution Department at 317-733-2855.**



ITEM	DESCRIPTION	QTY	MATERIAL	CATALOG NUMBER
1	MONITOR COVER W/ INNER LID	1	CAST GRAY IRON	MC-36-MB
2	3/8" CORRUGATED TILE	1	PVC	
3	FLANGED ANGLE BALL VALVE	1	CAST NO-LEAD BRASS	BFA13-777W-M5B-NL
4	SOLDER BUSHING	2	CAST NO-LEAD BRASS	CS8-77-NL
5	1" BRACE BAR & CAPS	1	PVC	
6	ELL	2	CAST NO-LEAD BRASS	CS7EE-7-S-NL
7	LOCK NUT	2	CAST RED BRASS	LN-7
8	NIPPLE	2	CAST NO-LEAD BRASS	
9	ANGLE DUAL CHECK VALVE	1	CAST NO-LEAD BRASS	HHEFA31-777-M5B-NL
10	EYE BOLT	2	ZINC PLATED STEEL	
11	FLAT WASHER	4	ZINC PLATED STEEL	
12	LOCK NUT	2	ZINC PLATED STEEL	
13	2 1/8" OD COPPER TUBE	2	COPPER	
14	1 3/8" OD COPPER TUBE	1	COPPER	
15	PLASTIC TIES	4	PLASTIC	

\* ORDERED SEPARATELY



95455-164

**PMBHH-788-36-40-NL**  
**ASSY. 2" PITSETTER, BV INLET X HHFA OUTLET,**  
**MONITOR COVER**

TOLERANCES:	UNLESS OTHERWISE SPECIFIED:	PATTERN:
XX ± N/A		
XXX ± N/A		
SCALE:	1:10	EST WEIGHT:
		lb
		SIZE:
		B
		DRAWING NO:
		95455-164

**THE FORD METER BOX CO., INC.**  
 Wabash, Indiana 46892 U.S.A.

REV.	DATE	EON	INITIAL RELEASE	REVISION DESCRIPTION
0	02/22/017	17438		

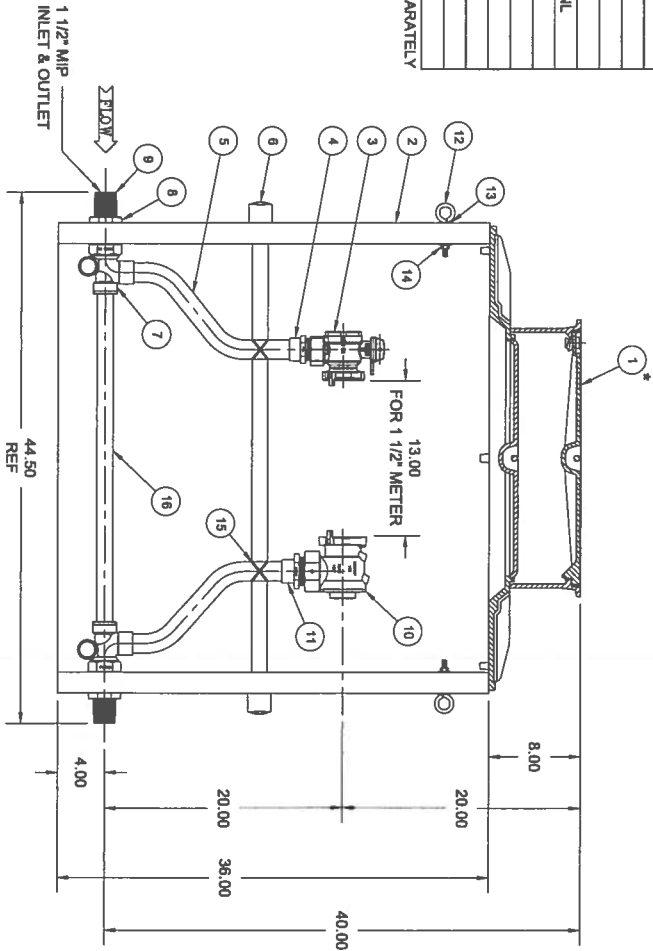
KLP RLR  
 DWN APPV  
 BY

**IMPORTANT NOTICE**

This drawing is part of information made available to recipient under obligations of confidentiality to a proprietary design owned by The Ford Meter Box Company, Inc. (FMBC) and all elements, patent, design, manufacturing, reproduction, use and sale rights regarding the same are expressly retained by FMBC. This drawing contains FMBC confidential information and is submitted by FMBC under a confidential relationship for an agreed purpose, and by accepting or relying on this drawing, the recipient agrees to maintain this drawing in strict confidence; not to copy or disclose the drawing to any employee or recipient who is not authorized by FMBC, and not otherwise use, disclose or reproduce this drawing without FMBC's written authorization. This drawing and all copies shall be returned to FMBC on request.

ITEM	DESCRIPTION	QTY	MATERIAL	CATALOG NUMBER
1	MONITOR COVER W/ INNER LID	1	CAST GRAY IRON	MC-36-MB
2	3/8" CORRUGATED PVC FIT	1	PVC	
3	ANGLE BALL VALVE	1	CAST NO-LEAD BRASS	BFA13-866W-M5B-NL
4	SOLDER BUSHING	1	CAST NO-LEAD BRASS	CS9-86-NL
5	1 5/8" OD COPPER TUBE	2	COPPER	
6	1" PVC BRACE BAR & CAPS	1	PVC	
7	TEE	2	CAST NO-LEAD BRASS	CSTEE-6-S
8	LOCK NUT	2	CAST RED BRASS	
9	NIPPLE	2	CAST NO-LEAD BRASS	
10	ANGLE DUAL CHECK VALVE	1	CAST NO-LEAD BRASS	HHFA31-777-M5B-NL
11	SOLDER BUSHING	1	CAST NO-LEAD BRASS	CS9-87-NL
12	EYE BOLT	2	ZINC PLATED STEEL	
13	FLAT WASHER	4	ZINC PLATED STEEL	
14	LOCK NUT	2	ZINC PLATED STEEL	
15	PLASTIC TIES	4	PLASTIC	
16	1 3/8" OD COPPER TUBE	1	COPPER	

\* ORDERED SEPARATELY

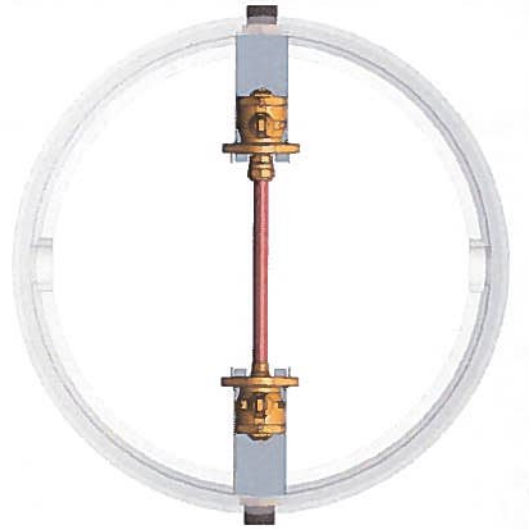


**IMPORTANT NOTICE**  
 This drawing is part of information made available to recipient under conditions of confidentiality as a proprietary design owned by The Ford Meter Box Company, Inc. (FMB) and all drawings, patent, design, manufacturing, reproduction, sale and use rights regarding the same are expressly retained by FMB. This drawing conveys FMB confidential information and is submitted by FMB under a confidential relationship for an agreed purpose, and by accepting or reviewing this drawing, the recipient expressly irrevocably warrants in strict confidence, not to copy or disclose the drawing to any employee or recipient who is not authorized by FMB, and not otherwise use, disclose or reproduce the drawing without FMB's written authorization. This drawing and all copies shall be returned to FMB on request.

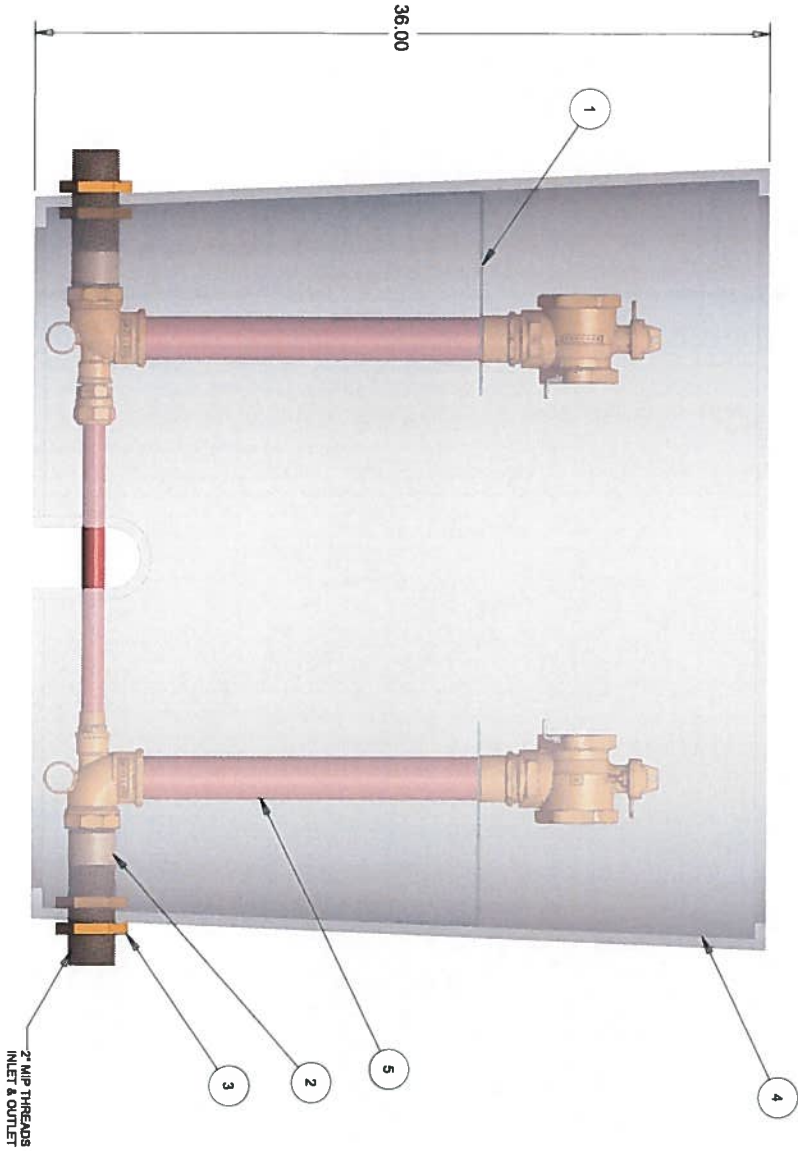
95455-163

**PMBHH-688-36-40-NL**  
 ASSY, 1 1/2" PITSETTER, BV INLET HHFA OUTLET,  
 MONITOR COVER

TOLERANCES: UNLESS OTHERWISE SPECIFIED	PATTERN:
XX ± N/A	GORHESI:
XXX ± N/A	EST WEIGHT:
± N/A	SIZE: B
SCALE: 1:10	ISSUING NO: 95455-163
REV. DATE ECN	THE FORD METER BOX CO., INC.
02/22/017 17438 INITIAL RELEASE	Wabash, Indiana 48992 U.S.A.
REVISION DESCRIPTION	
DWN BY	RUR
APPV BY	



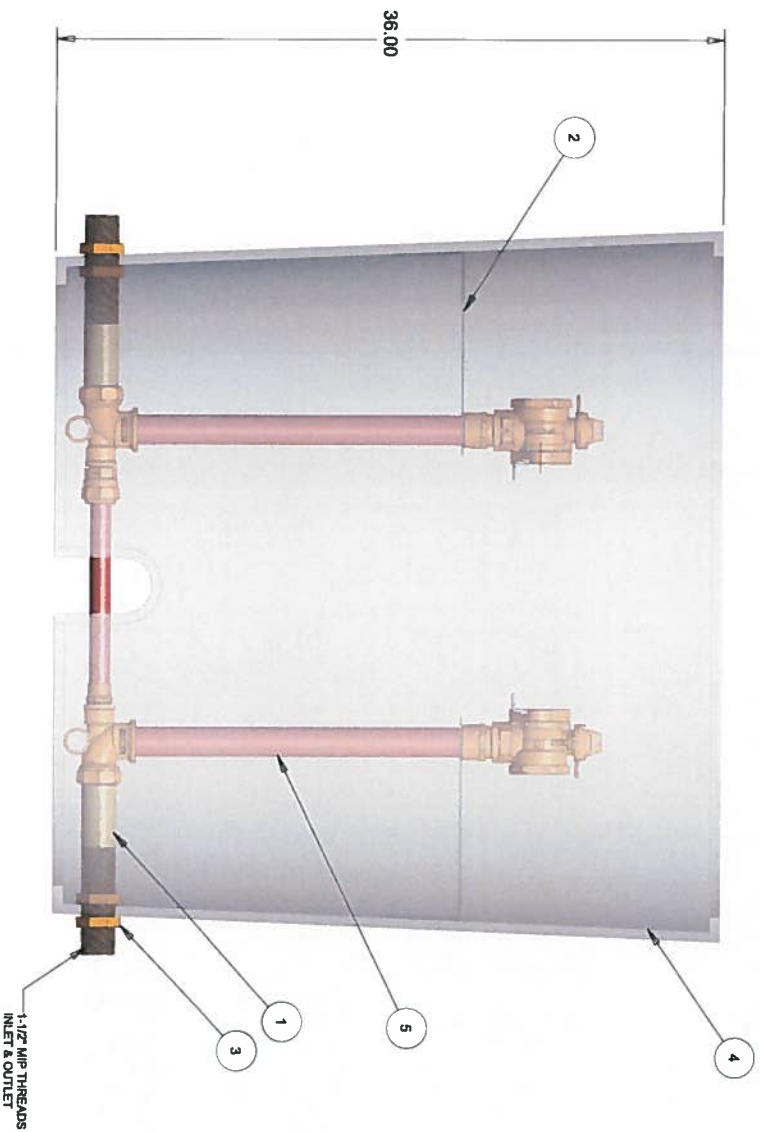
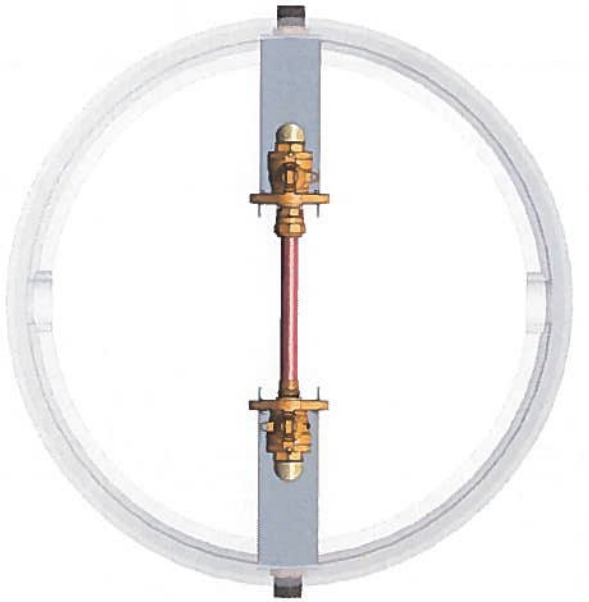
ITEM NO	PART NUMBER	QTY	DESCRIPTION
1	548555	2	STAINLESS STEEL SUPPORT BRACKET
2	548556	2	PIPE PART
3	790043	4	2" HEX NUT
4	790244	1	3/8" x 3/8" SHELL
5	108B2422---00N	1	2" X 24" COPPER METER SETTER



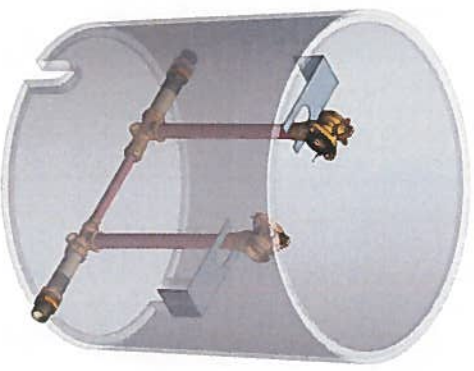
OPTION CODE: 000653  
 \*108B2422---00N INSTALLED

DESIGN	BBE	07/31/17	UNLESS OTHERWISE NOTED	THIRD PARTY INSPECTION	C.S. NO.
OWNER			REFER TO CONTRACT		
DATE			UNLESS OTHERWISE NOTED		
BY			UNLESS OTHERWISE NOTED		
TITLE			UNLESS OTHERWISE NOTED		
SCALE			UNLESS OTHERWISE NOTED		
PROJECT			UNLESS OTHERWISE NOTED		
LOCATION			UNLESS OTHERWISE NOTED		
DATE			UNLESS OTHERWISE NOTED		

**Mueller Co.**  
 2" WALL SINGLE METER PIT  
 36" DIA X 36" DEPTH  
 550V/S3638FF/B000853N



ITEM NO	PART NUMBER	QTY	DESCRIPTION
1	534894	2	1-1/2" X 10" NIPPLE
2	548554	2	STAINLESS STEEL SUPPORT BRACKET
3	790038	4	1-1/2" HEX NUT
4	790244	1	36" X 36" SHELL
5	721B2422---00N	1	1-1/2" X 24" COPPER METER SETTER



OPTION CODE: 000852  
 \* 721B2422---00N INSTALLED

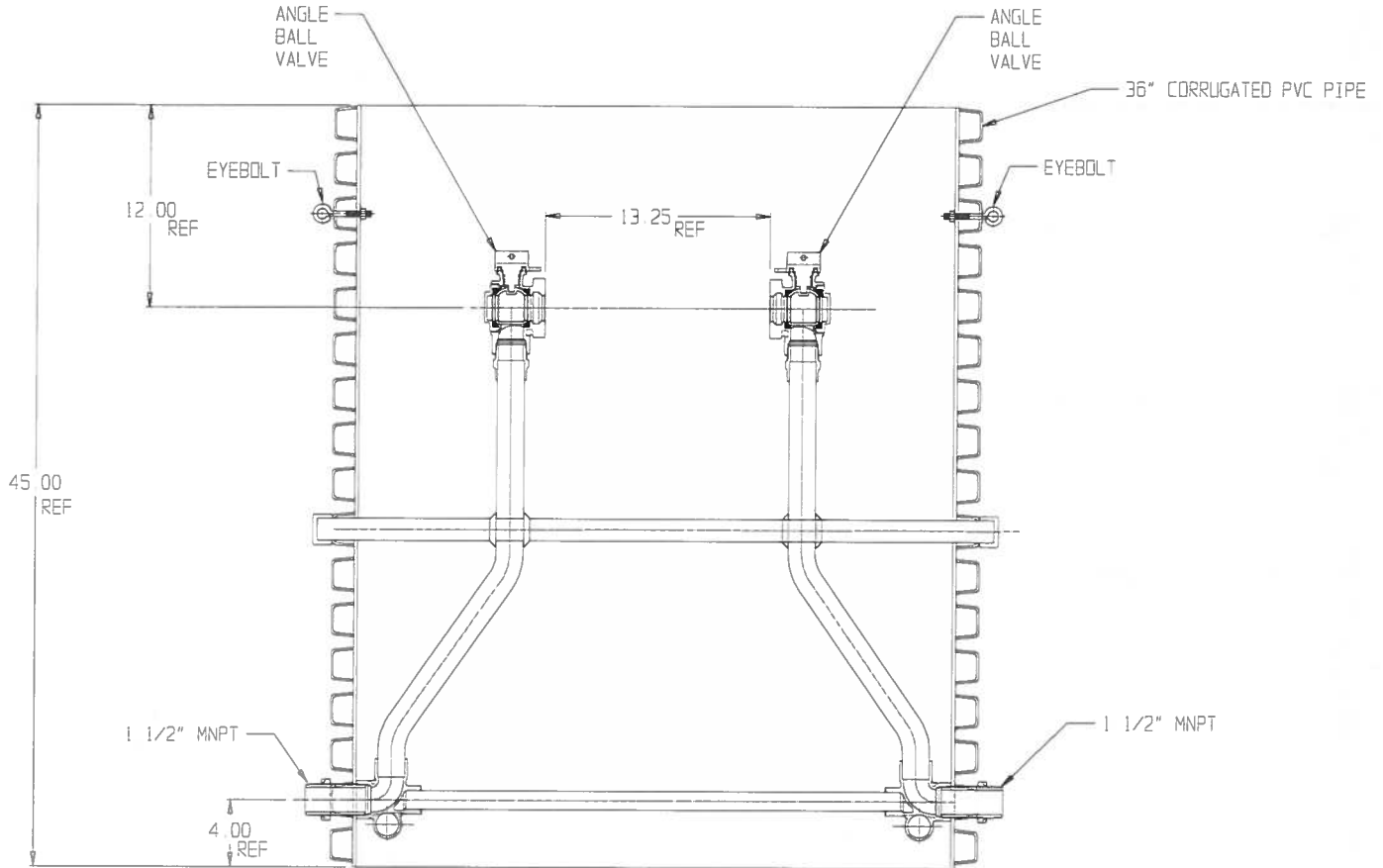
REV. NO.	BBF	01/31/17	UNLESS OTHERWISE NOTED	THIS PANEL INDUCTION	C.G. NO.
DATE			SHIELD (SEE COMMENTS)	FINISH	
BY			UNLESS OTHERWISE NOTED	SCALE	PART NO.
CHKD.			UNLESS OTHERWISE NOTED	STR. NO.	
APPV.					
DATE					

**Mueller Co.**      Model: 1-1/2" VALVE SINGLE METER PRT      36" DIA X 36" DEPTH      NUMBER: 500V53636FFB0000652N

# SUBMITTAL DATA SHEET

NL Pit Setter – 780-648WWPP 660X36

MNPT x MNPT



## SUBMITTAL INFORMATION

- Manufactured in compliance with ANSI/AWWA C800 (latest revision)
- Brass components in contact with potable water conform to ASTM B584, UNS C89833 (latest revision) and identified with "NL"
- Certified to NSF/ANSI 372
- Brass components not in contact with potable water conform to ASTM B62 and ASTM B584, UNS C83600 -85-5-5-5 (latest revision)
- Copper tubing made in compliance with ASTM B75 or B88, UNS C12200 (latest revision)
- Lead free solder joints
- Heavy wall PVC shell
- Large wrench flats provided for proper installation



A.Y. McDonald Mfg. Co.  
P.O. Box 508  
Dubuque, IA 52004-508

Toll Free: 1-800-292-2737

Fax: 1-800-832-9296

Hours: 7:00 a.m. – 5:00 p.m., CST

[sales@aymcdonald.com](mailto:sales@aymcdonald.com)

[www.aymcdonald.com](http://www.aymcdonald.com)

A.Y. McDonald considers the information on this assembly drawing correct when published. Item and option availability, including specifications, are subject to change without notice.

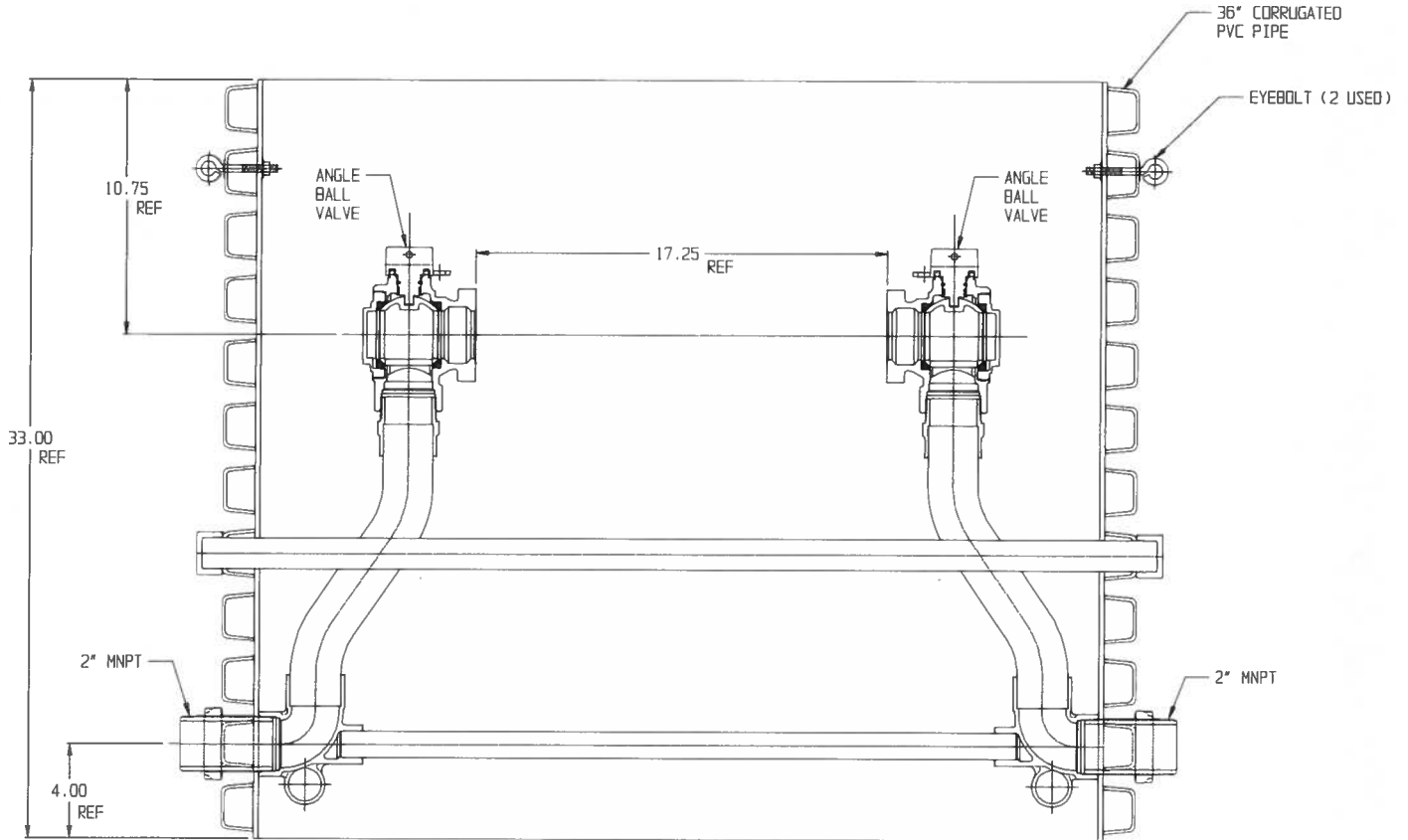
Submitted by:

03-16

# SUBMITTAL DATA SHEET

NL Pit Setter – 780-736WWPP 770X36

MNPT x MNPT



## SUBMITTAL INFORMATION

- Manufactured in compliance with ANSI/AWWA C800 (latest revision)
- Brass components in contact with potable water conform to ASTM B584, UNS C89833 (latest revision) and identified with "NL"
- Certified to NSF/ANSI 372
- Brass components not in contact with potable water conform to ASTM B62 and ASTM B584, UNS C83600 -85-5-5-5 (latest revision)
- Copper tubing made in compliance with ASTM B75 or B88, UNS C12200 (latest revision)
- Lead free solder joints
- Heavy wall PVC shell
- Large wrench flats provided for proper installation



A.Y. McDonald Mfg. Co.  
P.O. Box 508  
Dubuque, IA 52004-508

Toll Free: 1-800-292-2737

Fax: 1-800-832-9296

Hours: 7:00 a.m. – 5:00 p.m., CST

[sales@aymcdonald.com](mailto:sales@aymcdonald.com)

[www.aymcdonald.com](http://www.aymcdonald.com)

A.Y. McDonald considers the information on this assembly drawing correct when published. Item and option availability, including specifications, are subject to change without notice.

Submitted by:

03-17